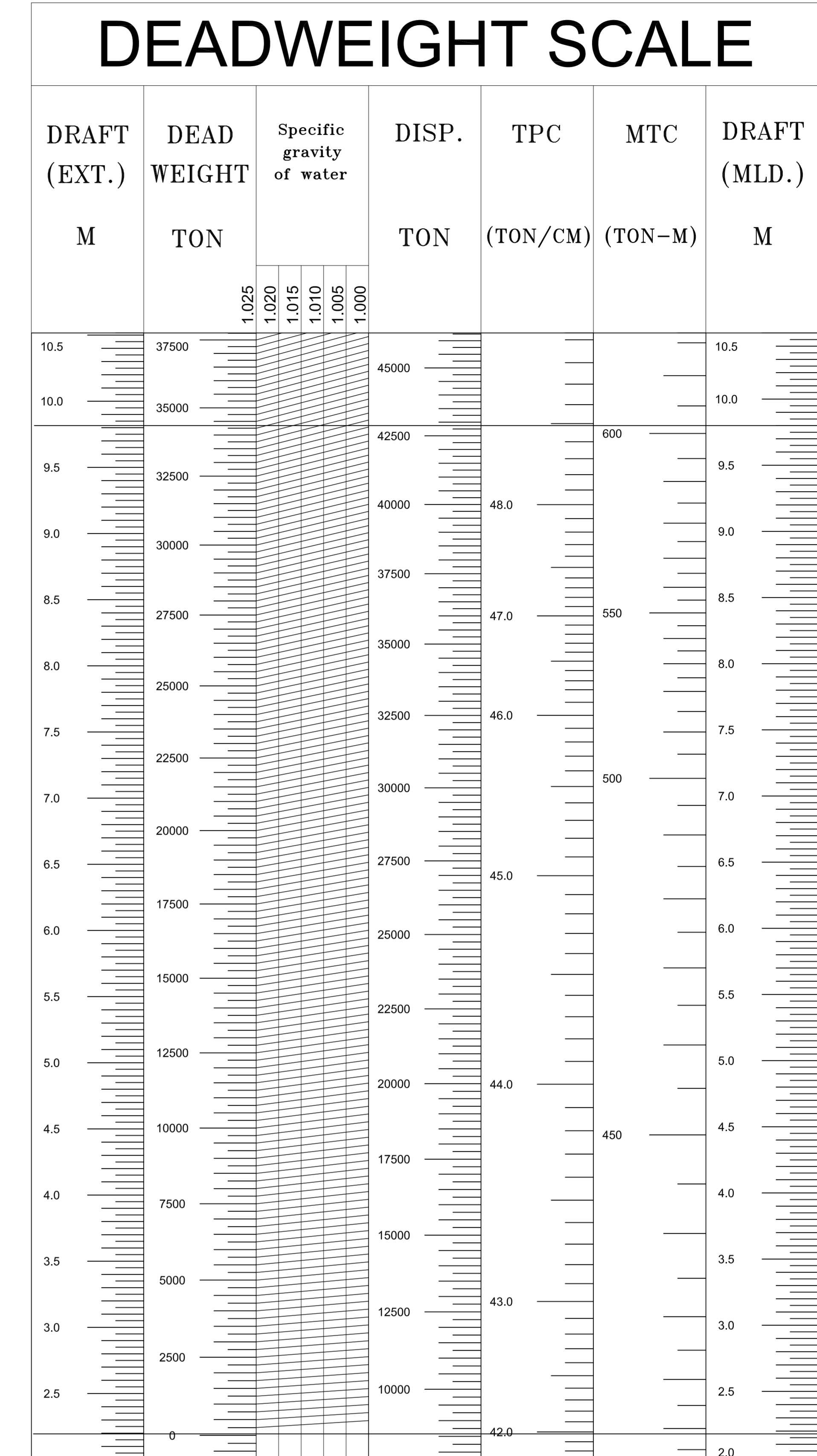
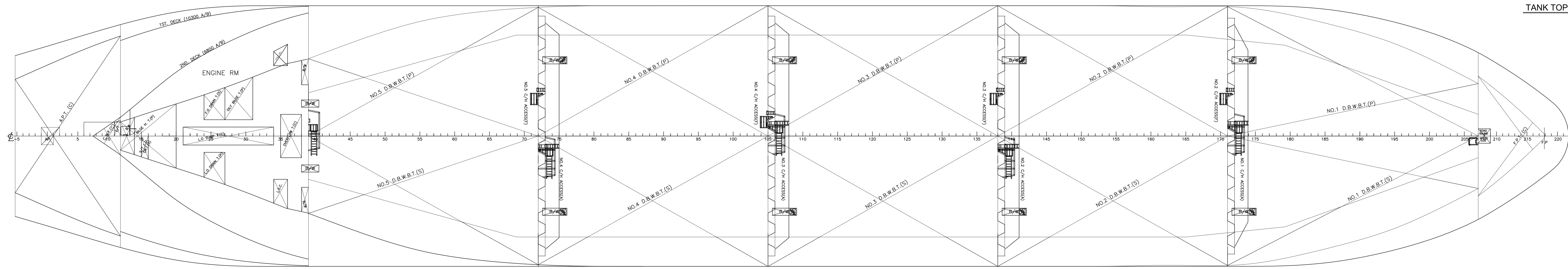
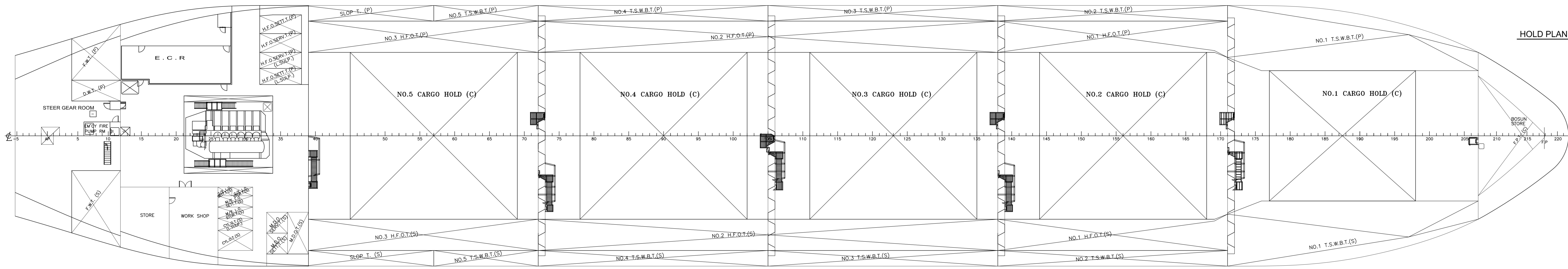
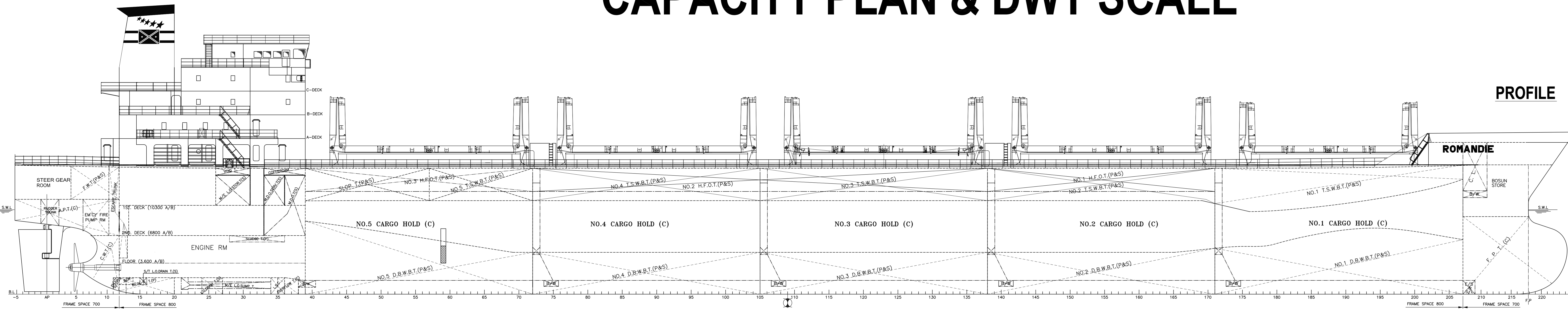


CAPACITY PLAN & DWT SCALE

BIBLIOGRAPHY	
DATE	REV. DESCRIPTION
2010.07.30.	1. FINAL DRAWING.



CARGO HOLD					
COMPARTMENT	LOCATION (FRAME)	CAPACITY (M³)	L. C. G. V. C. G.		
			(M)	(M)	(M)
NO.1 CARGO (C)	171-207	8245.2	148.962	8.633	
NO.2 CARGO (C)	138-172	9819.1	122.894	8.508	
NO.3 CARGO (C)	105-139	9835.3	96.513	8.507	
NO.4 CARGO (C)	72-106	9835.3	70.113	8.507	
NO.5 CARGO (C)	39-73	9355.2	43.859	8.812	
TOTAL		47090.2			

FUEL OIL TANKS					
COMPARTMENT	LOCATION (FRAME)	CAPACITY (M³)	WEIGHT	L. C. G. V. C. G.	
				(M)	(M)
NO.1 H. F. O. T. (P)	138-171	174.6	171.1	167.7	122.502
NO.1 H. F. O. T. (S)	138-171	174.6	171.1	167.7	122.502
NO.2 H. F. O. T. (P)	72-138	346.4	339.5	332.7	82.800
NO.2 H. F. O. T. (S)	72-138	346.4	339.5	332.7	82.800
NO.3 H. F. O. T. (P)	39-72	173.2	169.7	166.3	43.200
NO.3 H. F. O. T. (S)	39-72	173.2	169.7	166.3	43.200
H.F.O. SETT. T.(P)	32-38	35.4	34.7	34.0	26.818
H.F.O. SERV. T.(P)	32-38	32.3	31.7	31.0	26.752
SUB. TOTAL		1456.1	1427.0	1398.4	3.190
H.F.O.SETT.T.(P)(L.SULP.)	32-38	30.6	30.0	29.4	26.800
H.F.O.SERV.T.(P)(L.SULP.)	32-38	27.7	27.1	26.6	26.752
SUB. TOTAL		58.3	57.1	56.0	
GRAND TOTAL		1514.4	1484.1	1454.4	

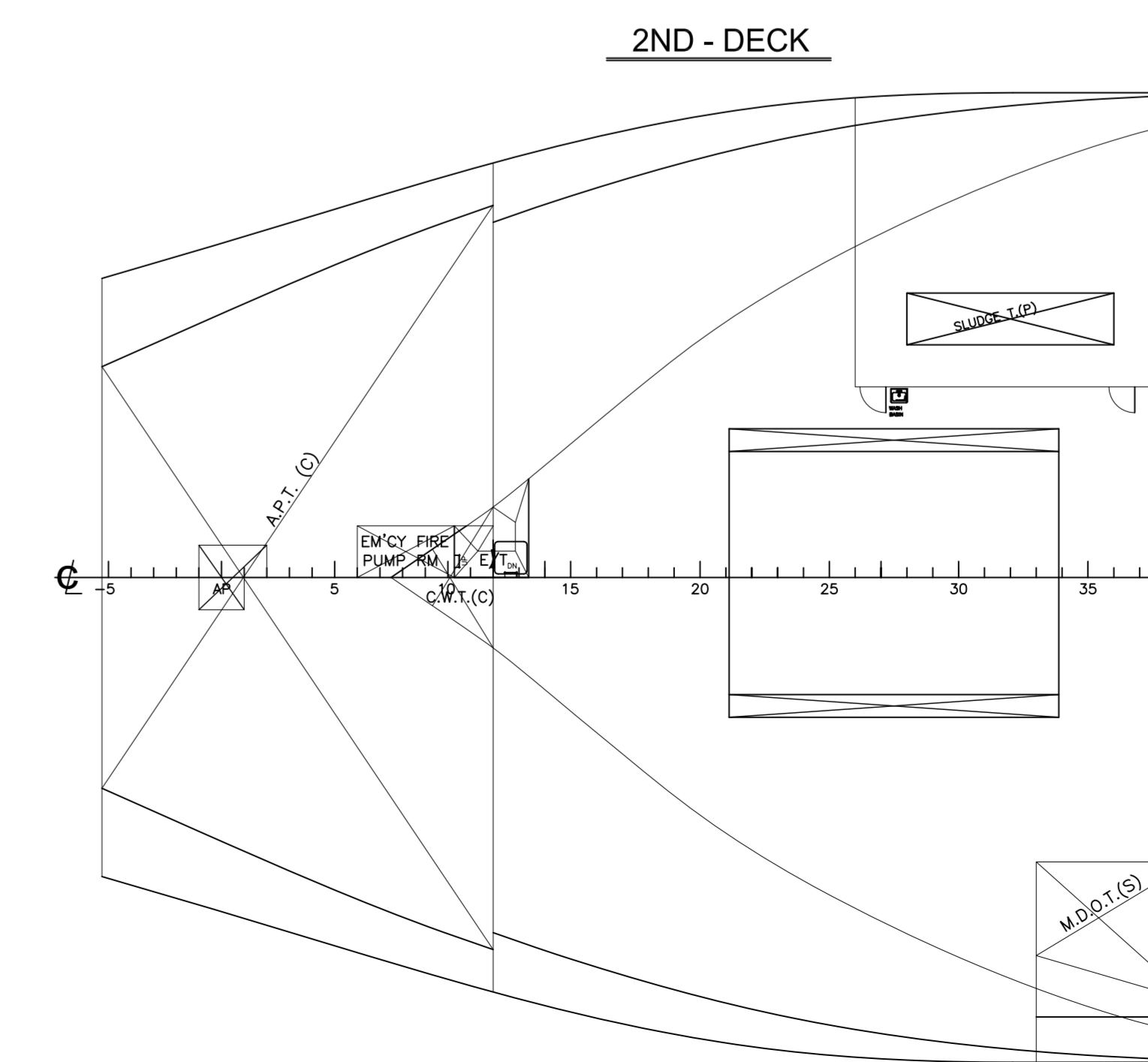
WATER BALLAST TANKS					
COMPARTMENT	LOCATION (FRAME)	CAPACITY (M³)	WEIGHT	L. C. G. V. C. G.	
				(M)	(M)
F. P. T. (C)	207-F-E	696.1	713.5	168.355	4.734
NO.1 W. B. T. (S)	171-207	1296.4	1328.9	148.220	5.726
NO.1 W. B. T. (P)	171-207	1296.4	1328.9	148.220	5.726
NO.2 W. B. T. (P)	138-171	948.9	972.6	121.757	3.204
NO.2 W. B. T. (S)	138-171	948.9	972.6	121.757	3.204
NO.3 W. B. T. (P)	105-138	950.6	974.4	95.401	3.183
NO.3 W. B. T. (S)	105-138	950.6	974.4	95.401	3.183
NO.4 W. B. T. (P)	72-105	949.2	973.0	69.014	3.190
NO.4 W. B. T. (S)	72-105	949.2	973.0	69.014	3.190
NO.5 W. B. T. (P)	39-72	935.2	958.6	43.095	2.972
NO.5 W. B. T. (S)	39-72	935.2	958.6	43.095	2.972
A. P. T. (C)	A-E-12	456.8	468.2	3.448	8.681
NO.3 BALLAST HOLD(C)	105-139	9835.3	10081.2	96.513	8.507
TOTAL		21148.8	21677.9		

LUB. OIL TANKS					
COMPARTMENT	LOCATION (FRAME)	CAPACITY (M³)	WEIGHT	L. C. G. V. C. G.	
				(M)	(M)
M/E L.O.SUMP.T.(C)	21-34	18.5	18.1	16.3	20.550
M/E L.O.SETT.T.(S)	26-31	16.5	16.2	14.6	21.600
M/E L.O.STOR.T.(S)	26-31	16.5	16.2	14.6	21.600
CYL.O.T.(S)	26-31	21.3	20.9	18.8	21.600
CYL.O.T.(S)(L.SULP.)	26-31	18.1	17.7	16.0	21.600
G/E L.O.STOR.T.(S)	28-31	7.4	7.3	6.5	22.400
G/E L.O.SETT.T.(S)	26-28	5.0	4.9	4.4	20.400
TOTAL		103.3	101.3	91.2	

OTHERS TANKS					
COMPARTMENT	LOCATION (FRAME)	CAPACITY (M³)	WEIGHT	L. C. G. V. C. G.	
				(M)	(M)
OILY BILGE T.(P)	27-31	19.3	18.5	22.080	1.094
L. O. D. T. (S)	24-27	10.7	10.3	19.260	1.121
F. O. D. T. (C)	24-27	10.7	10.3	19.260	1.121
S/T L. O. D. T. (S)	15-16	1.5	1.4	11.207	1.526
F. O. OVER. T. (P)	35-38	13.1	12.6	27.934	1.261
B. H. T. (C)	12-20	42.6	40.9	12.417	1.070
SLUDGE T. (C)	28-36	7.6	7.3	24.400	6.425
S/T C. W. T. (C)	6-12	30.2	29.0	7.126	3.494
SLOP T. (P)	39-57	83.6	80.3	37.204	12.991
SLOP T. (S)	39-57	83.6	80.3	37.204	12.991
TOTAL		152.9	149.8	127.4	

FRESH WATER TANKS					
COMPARTMENT	LOCATION (FRAME)	CAPACITY (M³)	WEIGHT	L. C. G. V. C. G.	
				(M)	(M)
F. W. T. (P)	4-12	107.5	107.5	5.769	13.029
F. W. T. (S)	4-12	160.4	160.4	5.713	13.019
DRINKING W. T. (P)	4-12	53.0	53.0	5.600	13.000
TOTAL		320.9	320.8		

CARGO HOLDS (BALE)					
COMPARTMENT	LOCATION (FRAME)	CAPACITY (M³)	L. C. G. V. C. G.		
			(M)	(M)	(M)
NO.1 CARGO (C)	171-207	7764.8	149.107	8.529	
NO.2 CARGO (C)	138-172	9264.9	122.996	8.448	
NO.3 CARGO (C)	105-139	9249.6	96.605	8.455	
NO.4 CARGO (C)	72-106	9267.0	70.221	8.449	
NO.5 CARGO (C)	39-73	8888.9	43.590	8.750	
TOTAL		44435.3			



PRINCIPAL DIMENSIONS		
LENGTH (M)	181.103	
LENGTH (MLD)	172.000	
BREADTH (M)	30.000	
DEPTH (M)	14.600	
DRAFT (DESIGN)	9.450	
DRAFT (SCANTLING)	9.800	

M/V ROMANDIE		BB-11
OWNER : OCEANA SHIPPING A.G.		IMO.9542829
HULL NO. H-1005		
APP. BY : K. D. OK	SUBJECT : DWT 34,000 TON CLASS BULK CARRIER	
APP. BY : W. S. SHIN	CAPACITY PLAN & DWT SCALE	
CHK BY : K. T. LEE		
DNW BY : K. H. KIM		
BUILDER : Shico	SHINAN HEAVY INDUSTRIES CO., LTD.	
DESIGNER : FEEDFC	(주) 극동선박설계 FAR EAST SHIP DESIGN & ENGINEERING CO., LTD.	

SCALE 1/200 DATE 2010.07.30. CLASS D.N.V. DWG. NO. DB203020DE REV. A

TEL : (82-51-320-3114), FAX : (82-51-320-3111), E-mail address : feeast@shintech.co.kr